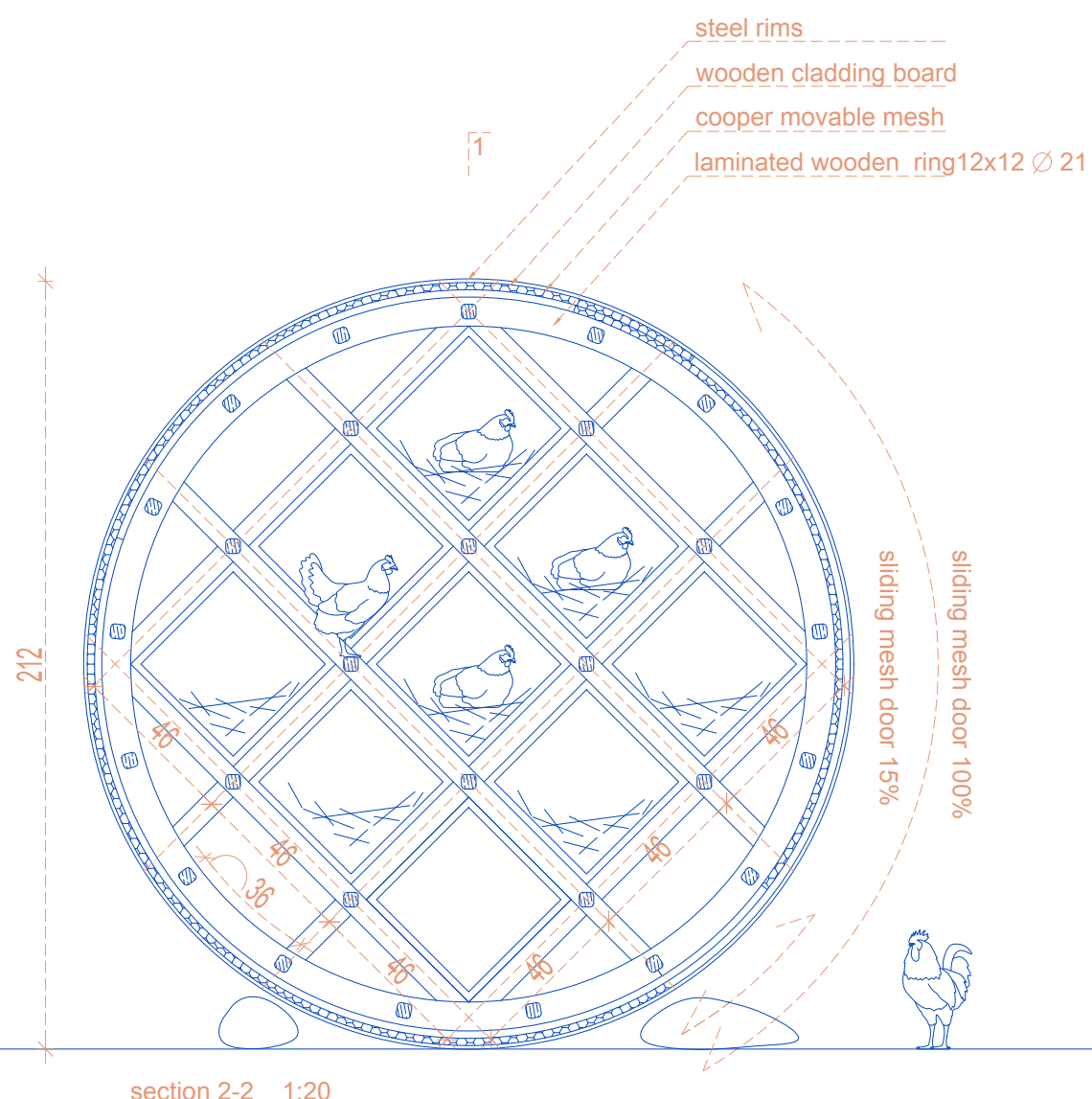
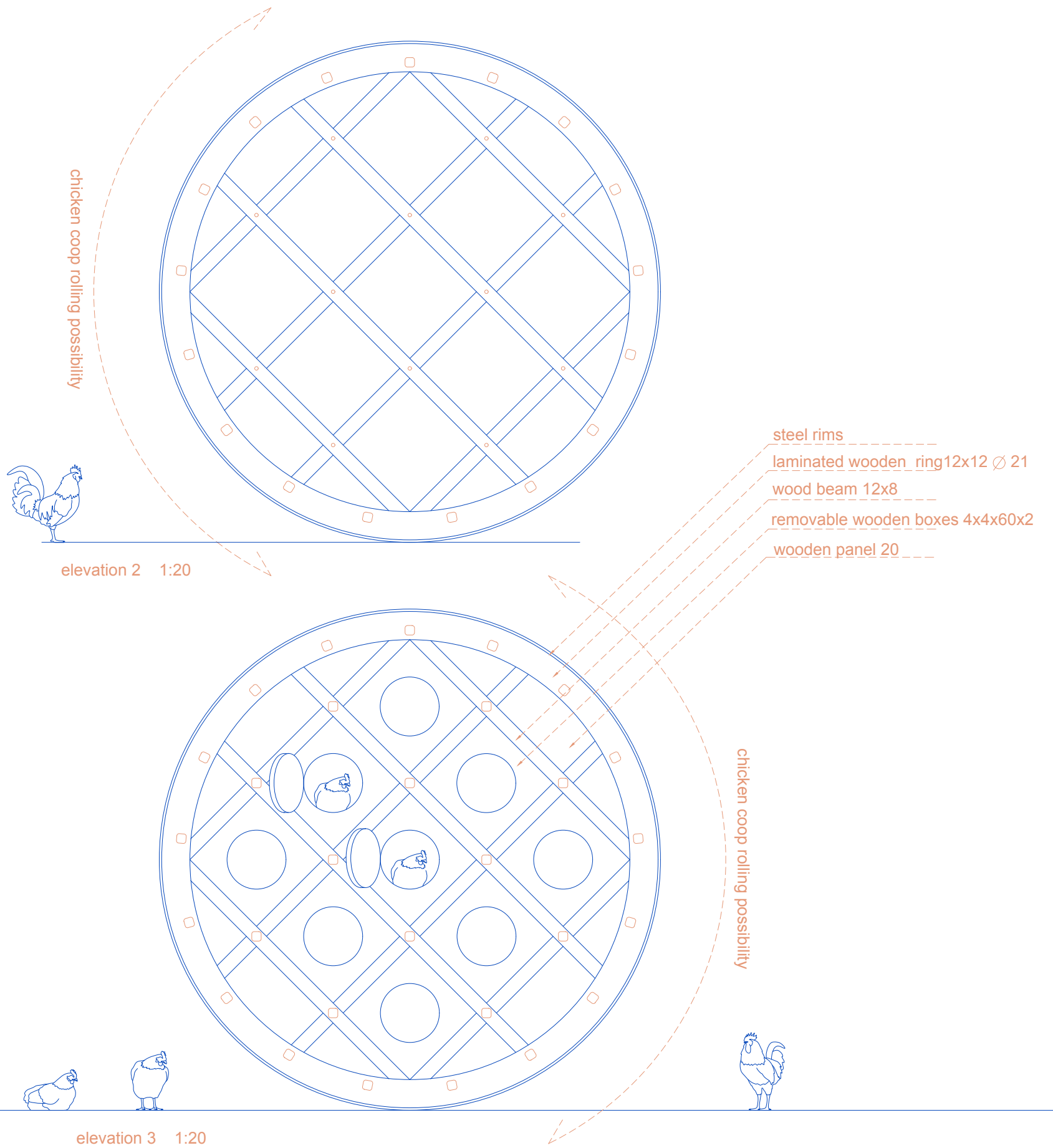
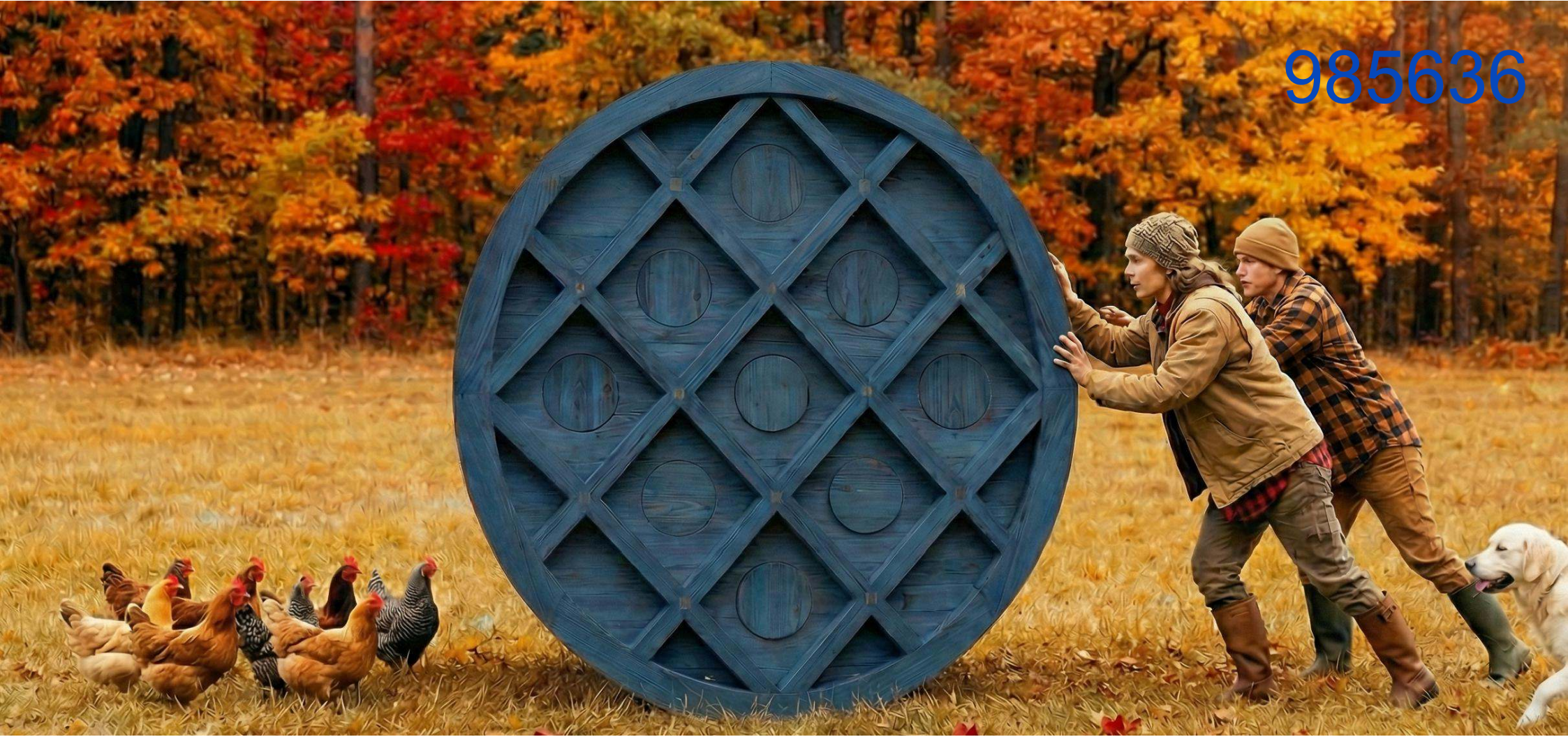
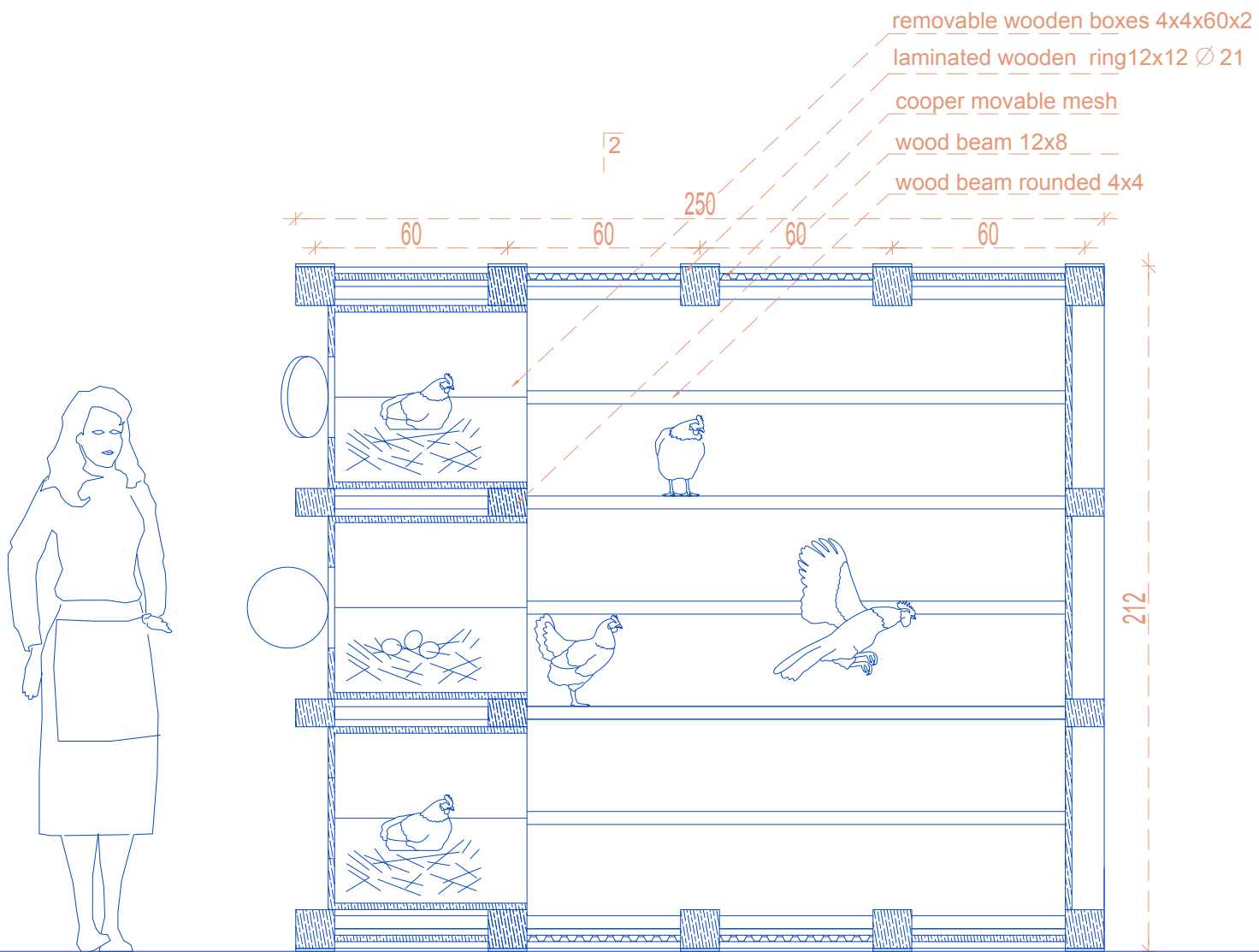
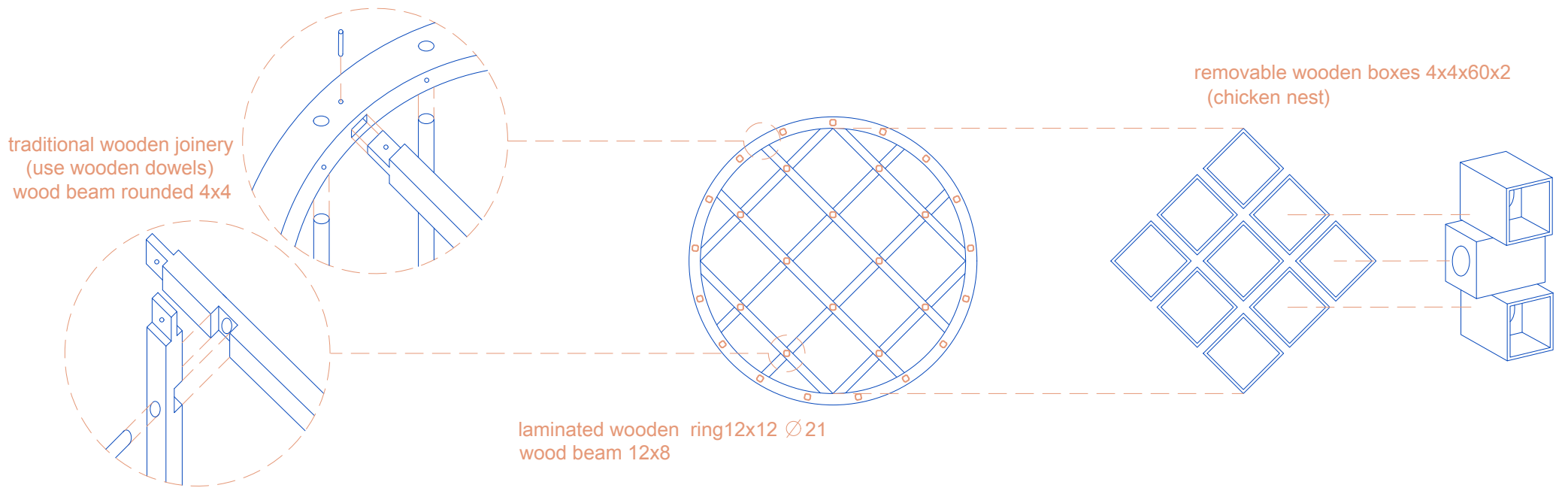




The main idea behind this Chicken Coop design is full mobility and flexibility. This has been made possible by the fact that the entire structure can be rolled to any location on the site. The coop is designed in the shape of a cylinder, which allows it to rotate and move across horizontal surfaces. The structure is comprised of circular frames made of glued laminated timber reinforced with wooden beams arranged in a cross pattern formation. The orthogonal layout of the structural beams inside the utility building directly inspired the design of the circular front elevations. These give way to a structural grid for mounting movable nesting boxes for the hens. The boxes can be opened through circular openings to collect eggs or removed entirely for repair, cleaning, or replacement. Additionally, the arrangement of the perches can be adjusted using beams that can be freely configured and placed into designated openings. All wooden elements of the coop are modular and assembled like building blocks. The cylindrical surface has façade boards cladding with perforated copper sheets bent along an arc. The sheets can be opened to create a small opening for the hens to enter or for human access during maintenance. Rubber or metal sheeting are also used to bolster the rolling surface. During the relocation of the chicken coop, there should be no chickens, eggs, or any other equipment inside. We recommend using acacia or larch wood treated with linseed oil, with an outer layer finished in blue as protection against insects. It has been observed that hens particularly enjoy access to fresh plants, herbs, seeds, and grass. The mobile design of the coop allows access to different areas of this rich terrain. Additionally, the area where the hens roam should be enclosed with a mesh aviary. A mesh Aviary can also be assembled and set up in any location around the coop to allow the chickens to roam about.





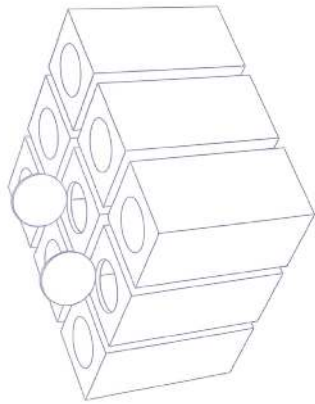


section 1-1 1:20

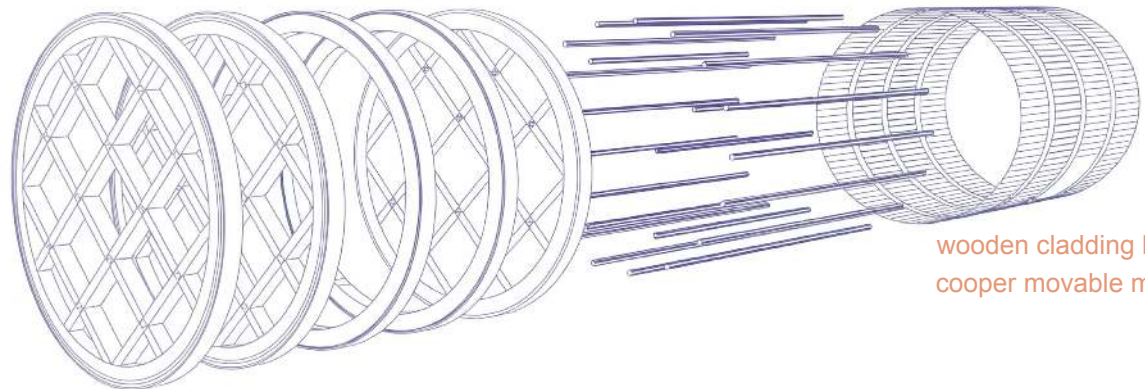




removable wooden boxes 4x4x60x2
(chicken nest)



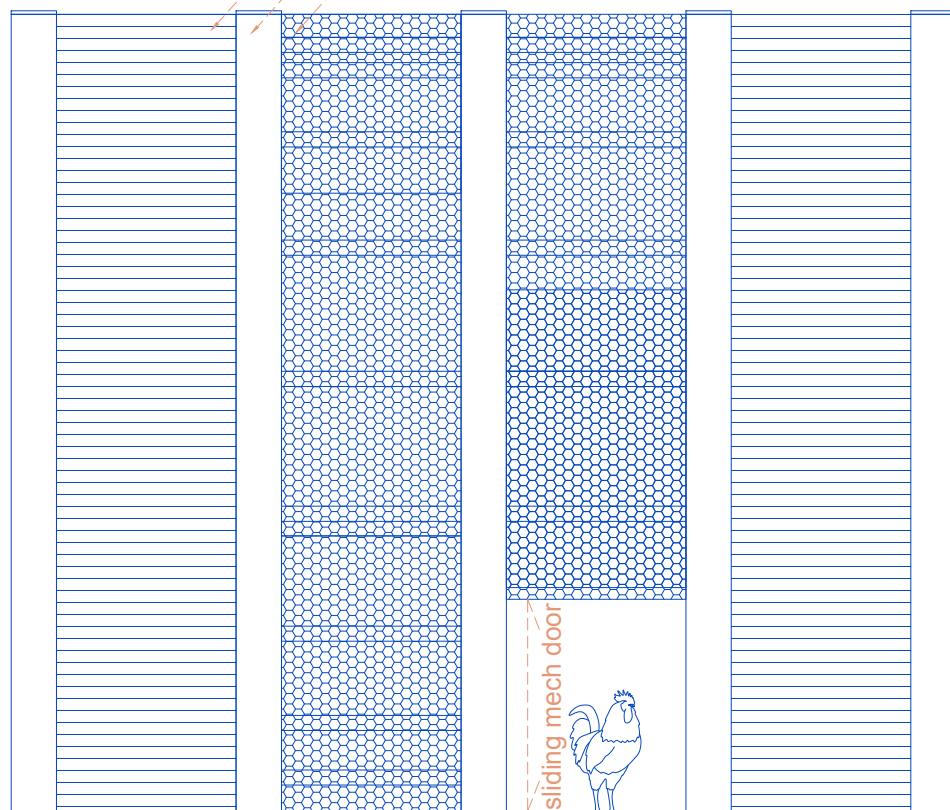
wood beam rounded 4x4



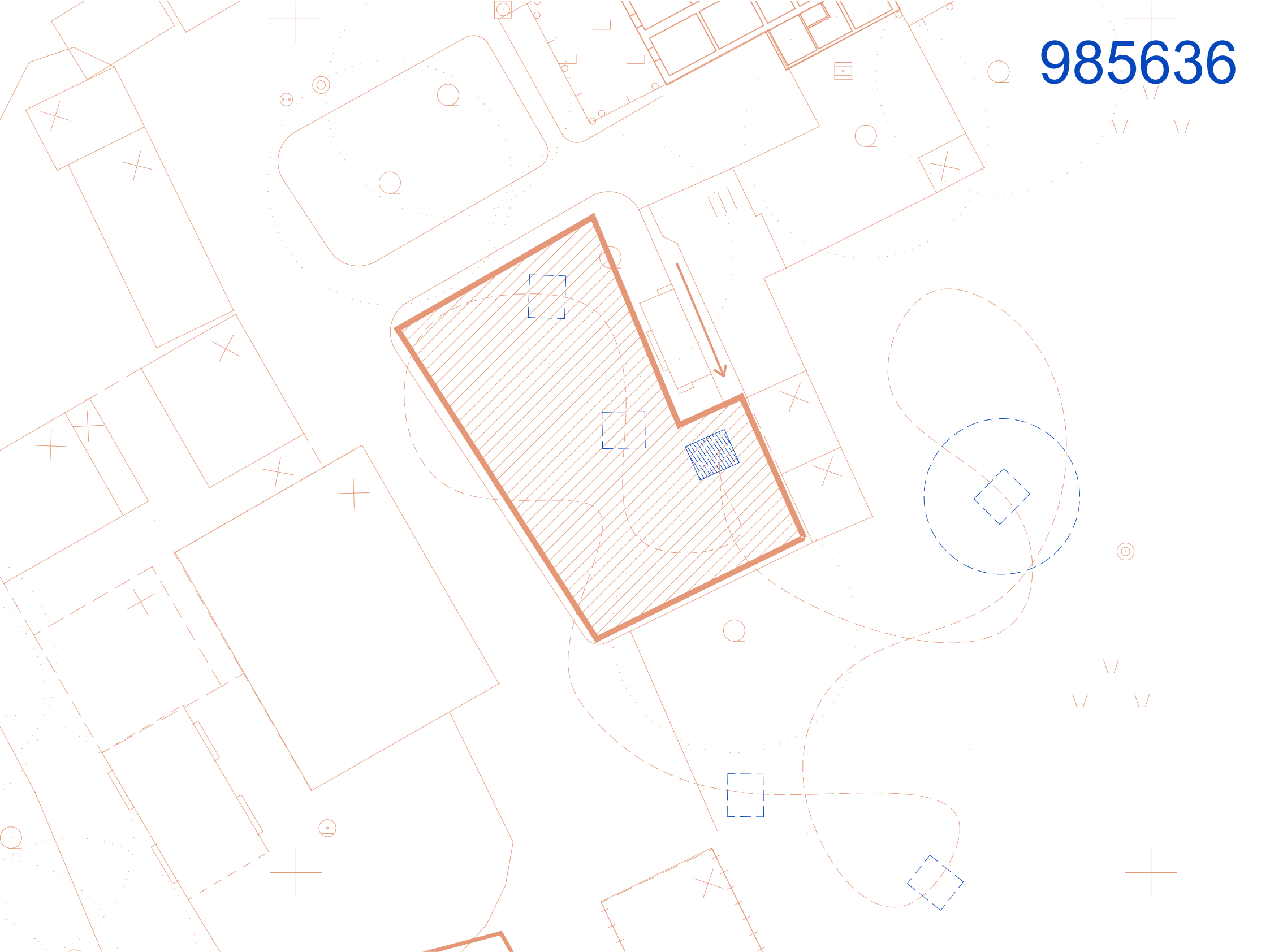
wooden cladding board
cooper movable mesh

steel rims
laminated wooden ring 12x12 Ø 21
wood beam 12x8

wooden cladding board
steel rims
cooper movable mesh

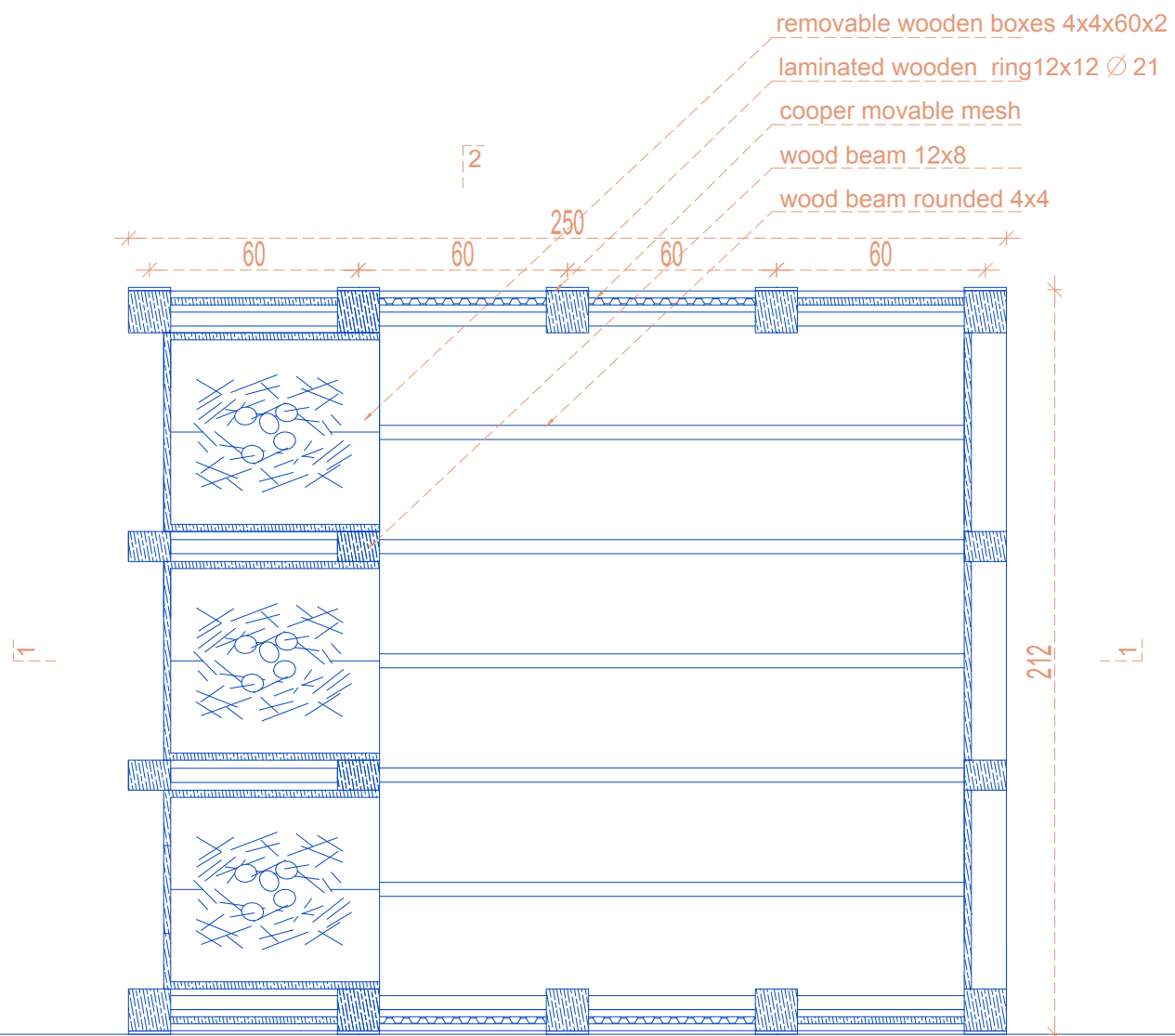


elevation 1 1:20



plot plan 1:250

Sample locations for a chicken coop and aviary



floor plan 1:20

2